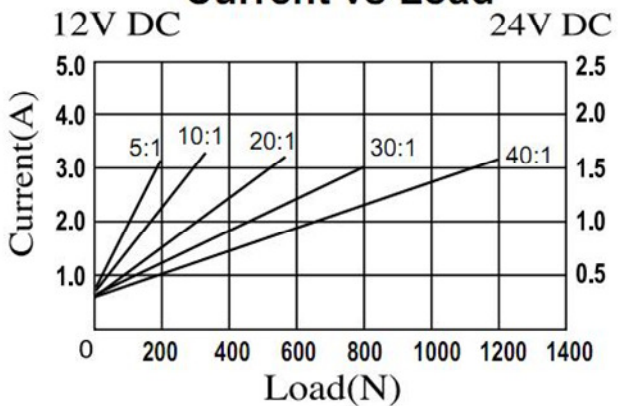
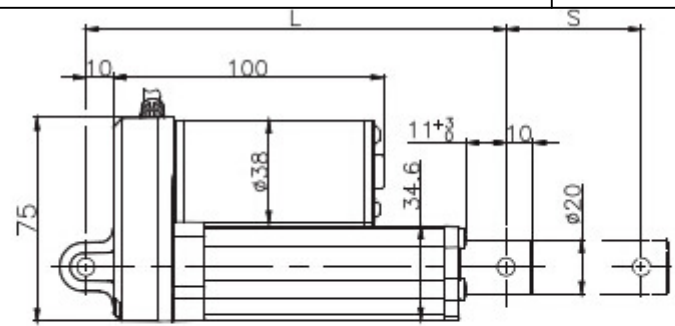


REVISIONS			
REV	DESCRIPTION	DATE	APPROVED

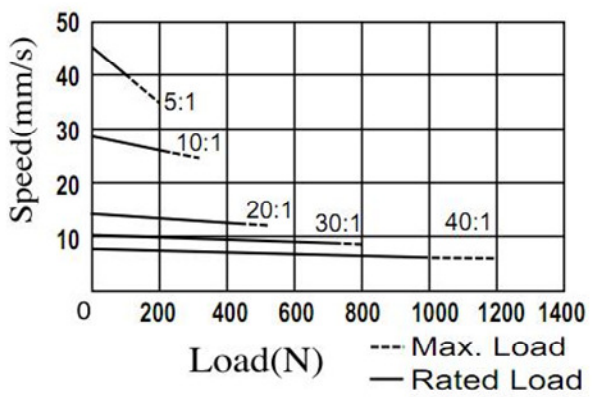
Current vs Load



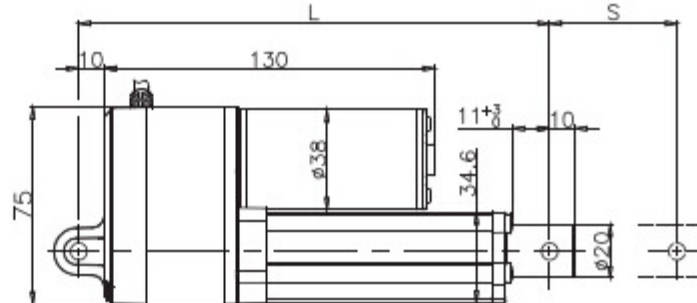
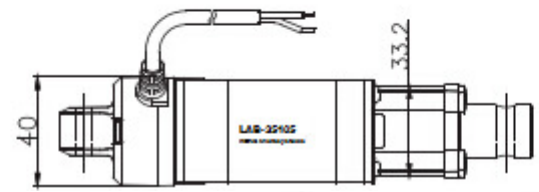
1 > : Dimension standard
 30 ≤ Stroke < 300, L=S+105
 300 ≤ Stroke < 500, L=S+120
 500 ≤ Stroke ≤ 600, L=S+130
 Mounting holes 90° (standard)



Speed vs Load



2 > : Dimensions with potentiometer
 30 ≤ Stroke < 300, L=S+135
 300 ≤ Stroke < 500, L=S+150
 500 ≤ Stroke ≤ 600, L=S+160
 Mounting hole 90° (standard)

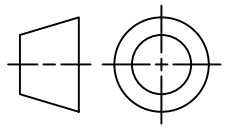


ACTUATOR SPECIFICATION

Nominal Power	
Nominal Voltage	12VDC/24VDC
Stroke Length (S)	100 - 1000mm
Rated Current	2A- 4A
Max Load	100N – 1500N
Duty Cycle	25%
Retracted Length (A)	105mm+Stroke Length
Extended Length (B)	A+Stroke Length
Protection	IP54/IP65

WIRING SPECIFICATION

RED	Motor +
BLACK	Motor -



LAB-35105 Linear Actuator

iNOVA Microsystems Pte Ltd
 #06-30, NorthStar @ AMK
 7030 Ang Mo Kio Ave
 Singapore 569880
 Email: sales@inovamicro.com
 Tel: (65)65703826 Fax: (65)62344235



DRAWN	Sunny	SIZE	FSCM NO	DWG NO
Nov 2013		A4		
SCALE				SHEET 1 OF 1